

NBSG53ABAEVB

Evaluation Board Manual for NBSG53A



ON Semiconductor®

<http://onsemi.com>

DESCRIPTION

This document describes the NBSG53A evaluation board and the appropriate lab test setups. It should be used in conjunction with the device data sheet, which includes specifications and a full description of device operation.

The board is used to evaluate the NBSG53A GigaComm™ multi-function device, which can be configured as a differential D flip-flop (DFF), or a divide-by-2 clock divider (DIV/2). The output function is determined by the state of the Reset and Select pins. The Reduced Swing ECL (RSECL) output ensures minimal noise and fast switching edges.

The board is implemented in two layers and provides a high bandwidth 50 Ω controlled impedance environment for higher performance. The first layer or primary trace layer is 5 mils thick Rogers RO6002 material, which is engineered to have equal electrical length on all signal traces from the NBSG53A device to the sense output. The second layer is 32 mils thick copper ground plane.

EVALUATION BOARD MANUAL

For standard lab setup and test, a split (dual) power supply is required enabling the 50 Ω impedance from the scope to be used as termination of the ECL signals ($V_{TT} = V_{CC} - 2.0$ V, in split power supply setup V_{TT} is the system ground, $V_{CC} = 2.0$ V and V_{EE} is -0.5 V or -1.3 V see setup Step 1).

Device Measurements

The following measurements can be performed in the single-ended⁽¹⁾ or differential mode of operation:

- Output Amplitude vs. Frequency (V_{OH}/V_{OL})
- Output Rise and Fall Time
- Output Skew
- Eye pattern generation
- Jitter
- V_{IHCMR} (Input High Common Mode Range)
 1. Single-ended measurements can only be made at $V_{CC} - V_{EE} = 3.3$ V using this board setup.

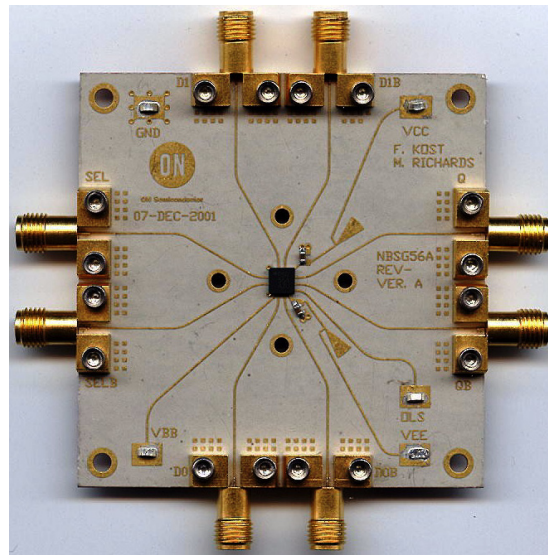


Figure 1. NBSG53A Evaluation Board

NBSG53ABAEVB

Setup for Time Domain Measurements

Table 1. Basic Equipment Needed

Description	Example Equipment (Note 1)	Qty.
Power Supply with 2 outputs	HP6624A	1
Oscilloscope	TDS8000 with 80E01 Sampling Head (Note 2)	1
Differential Signal Generator	HP 8133A, Advantest D3186	1
Matched high speed cables with SMA connectors	Storm, Semflex	6
Power Supply cables with clips		3

1. Equipment used to generate example measurements within this document.
2. 50 GHz sample module used (for effective rise, fall and jitter performance measurement).

D Flip-Flop Mode Setup

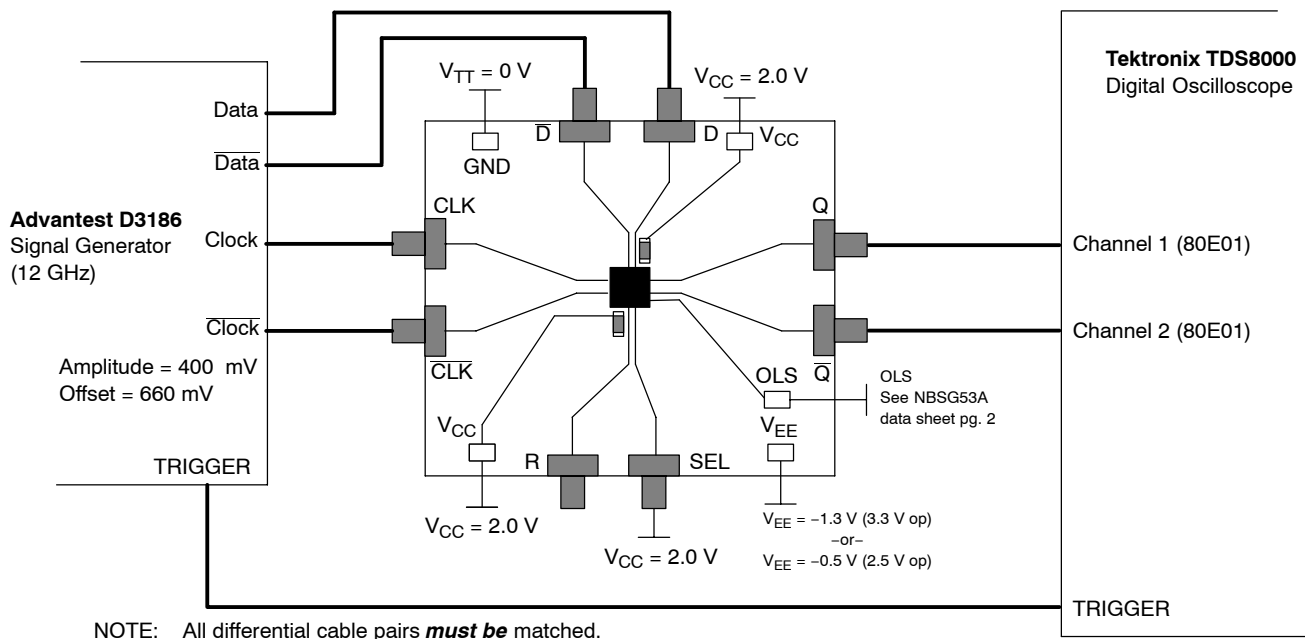


Figure 2. Time Domain Setup for the Differential D Flip-Flop Mode (DFF)

Connect Power

Step 1:

1a: Connect the following supplies to the evaluation board via the surface mount clips.

Power Supply Summary Table	
3.3 V Setup	2.5 V Setup
V _{CC} = 2.0 V (Two Places)	V _{CC} = 2.0 V (Two Places)
V _{TT} = GND (One Place)	V _{TT} = GND (One Place)
V _{EE} = -1.3 V (One Place)	V _{EE} = -0.5 V (One Place)

D Flip-Flop Mode Setup (continued)

Step 2:

Connect the Inputs

For Differential Mode (3.3 V and 2.5 V operation)

- 2a: Connect the Select input to V_{CC} . (Note 3)
- 2b: Leave the Reset input open (it will default LOW when open). (Note 3)
- 2c: Connect the differential Clock outputs of the generator to the differential Clock inputs of the device. (CLK and $\overline{\text{CLK}}$)
- 2d: Connect the differential Data outputs of the generator to the differential Data inputs of the device. (D and $\overline{\text{D}}$)
- 2e: Connect the generator trigger to the oscilloscope trigger.

For Single-Ended Mode (3.3 V operation only)

- 2a: Connect the Select input to V_{CC} . (Note 3)
- 2b: Leave the Reset input open (it will default LOW when open). (Note 3)
- 2c: Connect an AC-coupled output of the generator to the desired differential input of the device.
- 2d: Connect the unused differential input of the device to V_{TT} (GND) through a 50 Ω resistor.
- 2e: Connect the generator trigger to the oscilloscope trigger.

For All Modes

Connect OLS (Output Level Select) to the required voltage to obtain desired output amplitude. Refer to the NBSG53A device data sheet page 2 OLS voltage table.

- 3. If using an ECL signal on the Reset or Select input pin, a proper ECL driver termination should be used, such as 50 Ω to $V_{TT} = V_{CC} - 2\text{ V} = \text{GND}$. A pad is available on the evaluation board to solder on a 50 Ω termination resistor.

Step 3:

Setup Input Signals

- 3a: Set the signal generator amplitude to 400 mV.

NOTE: The signal generator amplitude can vary from 75 mV to 900 mV to produce a 400 mV DUT output amplitude.

- 3b: Set the signal generator offset to 660 mV (the center of a nominal RSECL output).
- 3c: Set the generator output for a square wave clock signal with a 50% duty cycle, or for a PRBS data signal.

NOTE: The V_{IHCMR} (Input High Voltage Common Mode Range) allows the signal generator offset to vary as long as V_{IH} is within the V_{IHCMR} range. Refer to the device data sheet for further information.

Step 4:

Connect Output Signals

- 4a: Connect the outputs of the evaluation board ($Q0$, $\overline{Q0}$) to the oscilloscope. The oscilloscope sampling module must have internal 50 Ω termination to ground.

NOTE: Where a single output is being used, the unconnected output for the pair **must be** terminated to V_{TT} through a 50 Ω resistor for best operation. Unused pairs may be left unconnected. Since $V_{TT} = 0\text{ V}$, a standard 50 Ω SMA termination is recommended.

Clock Divider Mode Setup (continued)

Step 2:

Connect the Inputs

For Differential Mode (3.3 V and 2.5 V operation)

- 2a: Leave the Select input open (it will default LOW when open). (Note 4)
- 2b: Leave the Reset input open (it will default LOW when open). (Note 4)
- 2c: Connect the differential Clock outputs of the generator to the differential Clock inputs of the device. (CLK, $\overline{\text{CLK}}$)
- 2d: Leave the D input open .
- 2e: Connect the $\overline{\text{D}}$ input to V_{CC} .
- 2f: Connect the generator trigger to the oscilloscope trigger.

For Single-Ended Mode (3.3 V operation only)

- 2a: Leave the Select input open (it will default LOW when open). (Note 4)
- 2b: Leave the Reset input open (it will default LOW when open). (Note 4)
- 2c: Connect an AC-coupled output of the generator to the desired differential Clock input of the device.
- 2d: Connect the unused differential Clock input of the device to V_{TT} (GND) through a 50 Ω resistor.
- 2e: Leave the D input open.
- 2f: Connect the $\overline{\text{D}}$ input to V_{CC} .
- 2g: Connect the generator trigger to the oscilloscope trigger.

For All Modes

Connect Output Level Select (OLS) to the required voltage to obtain desired output amplitude. Refer to the NBSG53A device data sheet page 2 OLS voltage table.

4. If using an ECL signal on the Reset or Select input pin, a proper ECL driver termination should be used, such as 50 Ω to $V_{TT} = V_{CC} - 2 \text{ V} = \text{GND}$. A pad is available on the evaluation board to solder on a 50 Ω termination resistor.

Step 3:

Setup Input Signals

- 3a: Set the signal generator amplitude to 400 mV.

NOTE: The signal generator amplitude can vary from 75 mV to 900 mV to produce a 400 mV DUT output amplitude.

- 3b: Set the signal generator offset to 660 mV (the center of a nominal RSECL output).
- 3c: Set the generator output for a square wave clock signal with a 50% duty cycle, or for a PRBS data signal.

NOTE: The V_{IHCMR} (Input High Voltage Common Mode Range) allows the signal generator offset to vary as long as V_{IH} is within the V_{IHCMR} range. Refer to the device data sheet for further information.

Step 4:

Connect Output Signals

- 4a: Connect the outputs of the evaluation board ($Q0$, $\overline{Q0}$) to the oscilloscope. The oscilloscope sampling head must have internal 50 Ω termination to ground.

NOTE: Where a single output is being used, the unconnected output for the pair **must be** terminated to V_{TT} through a 50 Ω resistor for best operation. Unused pairs may be left unconnected. Since $V_{TT} = 0 \text{ V}$, a standard 50 Ω SMA termination is recommended.

NBSG53ABAEVB

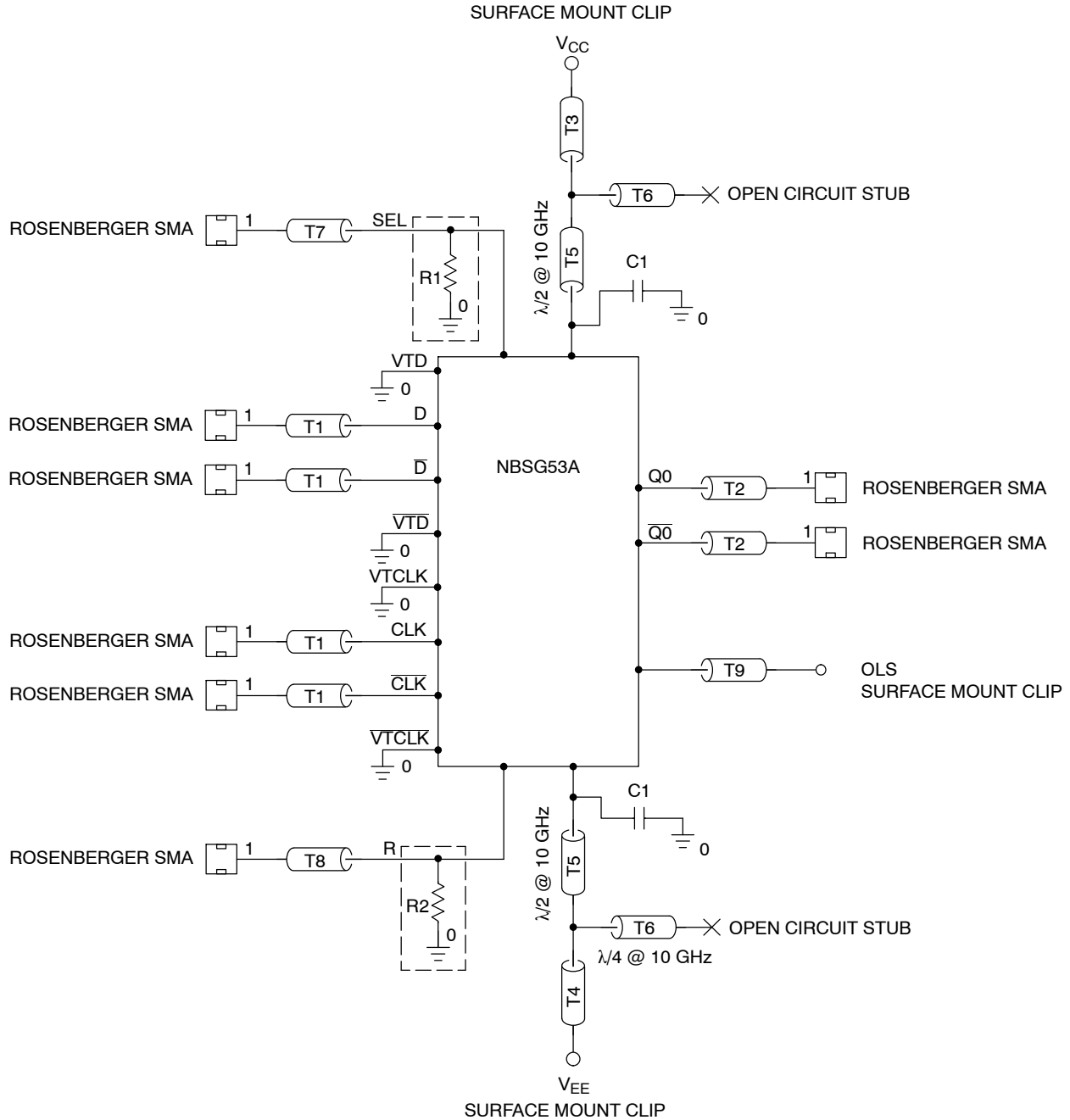
More Information About Evaluation Board

Design Considerations for >10 GHz operation

While the NBSG53A is specified to operate at 12 GHz, this evaluation board is designed to support operating frequencies up to 20 GHz.

The following considerations played a key role to ensure this evaluation board achieves high-end microwave performance:

- Optimal SMA connector launch
- Minimal insertion loss and signal dispersion
- Accurate Transmission line matching ($50\ \Omega$)
- Distributed effects while bypassing and noise filtering



NOTE: C1 = Decoupling cap (broadband cap with the range from 2 MHz to 30 GHz)
 Tx = $50\ \Omega$ Transmission line
 R1 and R2 are optional see Setup Note 3.

Figure 4. Evaluation Board Schematic

NBSG53ABAEVB

Table 2. Parts List

Part No	Description	Manufacturer	Qty	WEB address
NBSG53ABAHTBG	SiGe Selectable Differential Clock and Data D Flip-Flop / Clock Divider with Reset and OLS	ON Semiconductor	1	http://www.onsemi.com
32K243-40ME3	Gold Plated Connector	Rosenberger	6	http://www.rosenberger.de
CO6BLBB2X5UX	2 MHz – 30 GHz capacitor	Dielectric Laboratories	2	http://www.dilabs.com
5015KCT-ND	TP_SMT_KEYSTONE Surface Mount Clip	Keystone	2	http://www.digikey.com/

Table 3. Board Material

Material	Thickness
Rogers 6002	5.0 mil
Copper Plating	32 mil

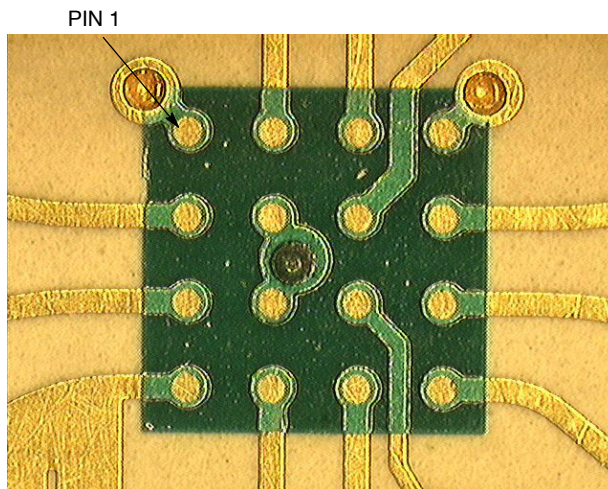
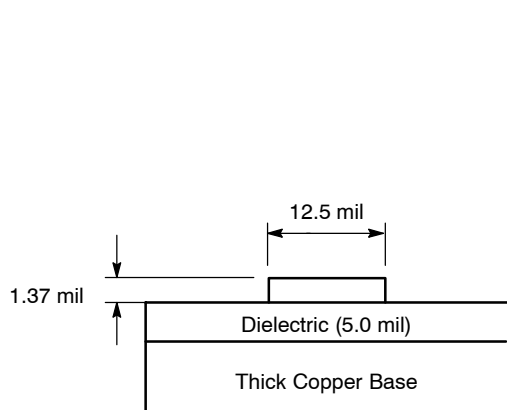
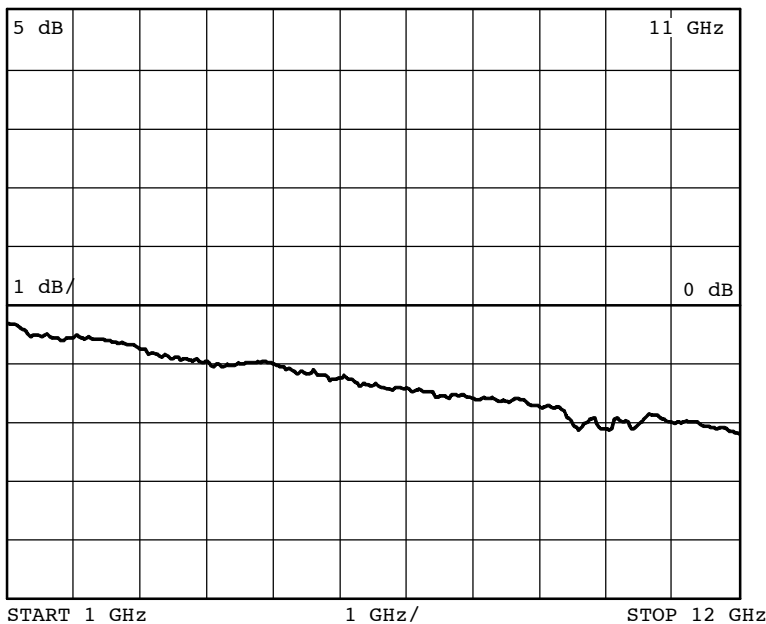


Figure 5. Board Stack-up

Figure 6. Layout Mask for NBSG53A



NOTE: The insertion loss curve can be used to calibrate out board loss if testing under small signal conditions.

Figure 7. Insertion Loss

EXAMPLE MEASUREMENTS IN TIME DOMAIN

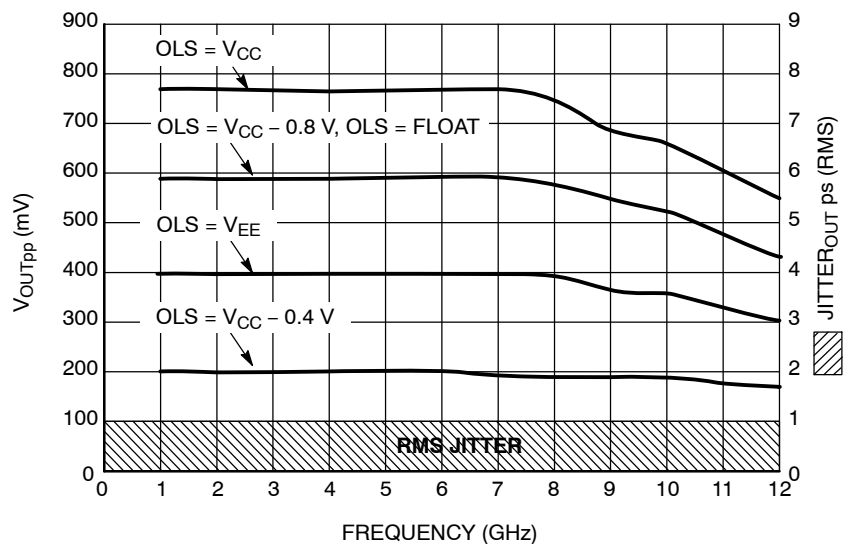


Figure 8. V_{OUT} /Jitter vs. Frequency for DFF Mode ($V_{CC} - V_{EE} = 2.5V @ 25^{\circ}C$; Repetitive 1010 Input Data Pattern)

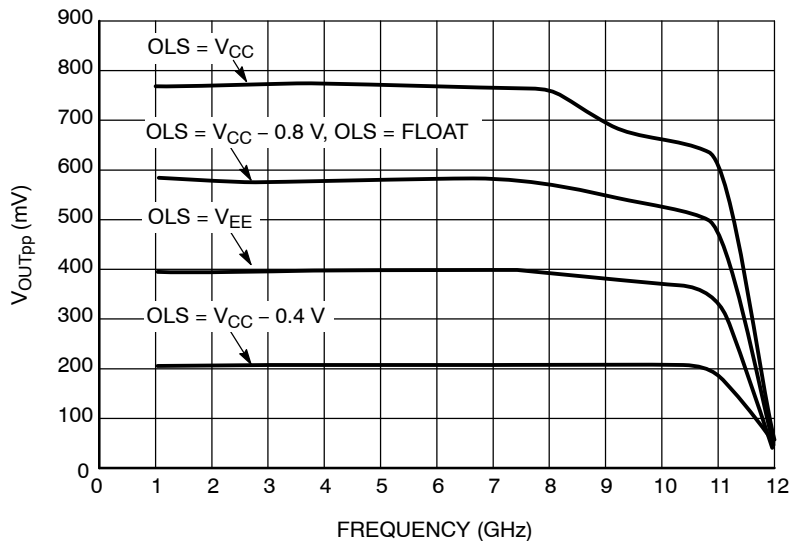


Figure 9. V_{OUT} vs. Frequency for DIV/2 Mode ($V_{CC} - V_{EE} = 2.5V @ 25^{\circ}C$)

NBSG53ABAEVB

EXAMPLE MEASUREMENTS IN TIME DOMAIN

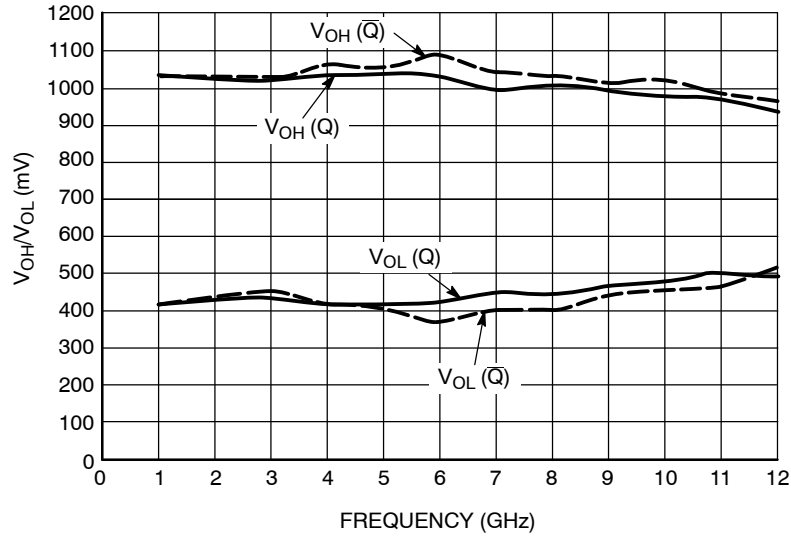


Figure 10. V_{OH}/V_{OL} (Q/ \bar{Q}) vs. Frequency for DFF Mode
($V_{CC} - V_{EE} = 3.3$ V @ 25°C and OLS = $V_{CC} - 0.8$ V, OLS = FLOAT)

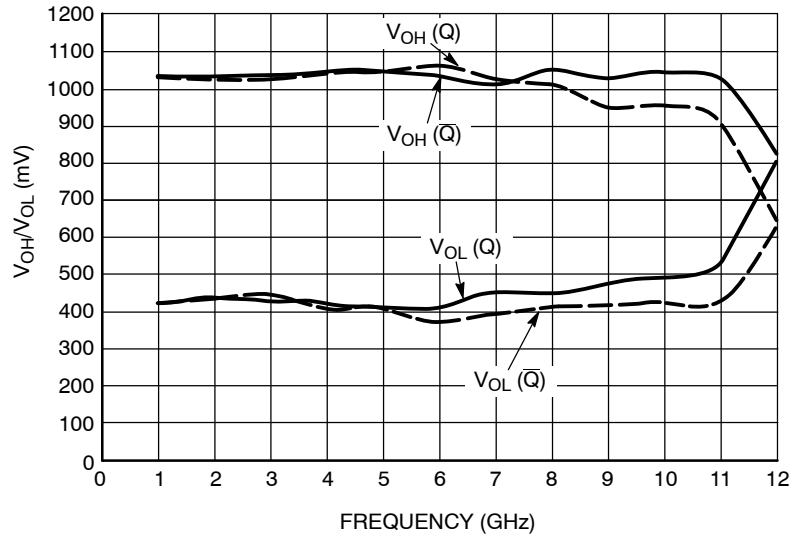


Figure 11. V_{OH}/V_{OL} (Q/ \bar{Q}) vs. Frequency for DIV/2 Mode
($V_{CC} - V_{EE} = 3.3$ V @ 25°C and OLS = $V_{CC} - 0.8$ V, OLS = FLOAT)

NBSG53ABAEVB

EXAMPLE MEASUREMENTS IN TIME DOMAIN

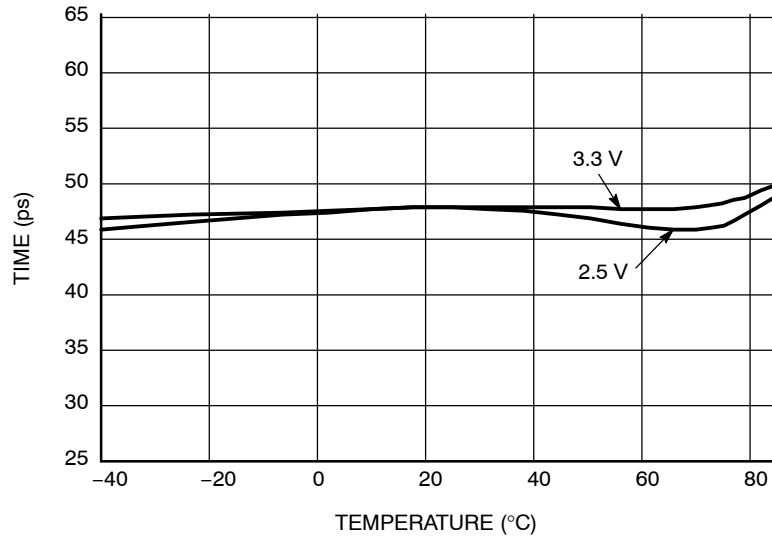


Figure 12. t_r vs. Temperature and Power Supply

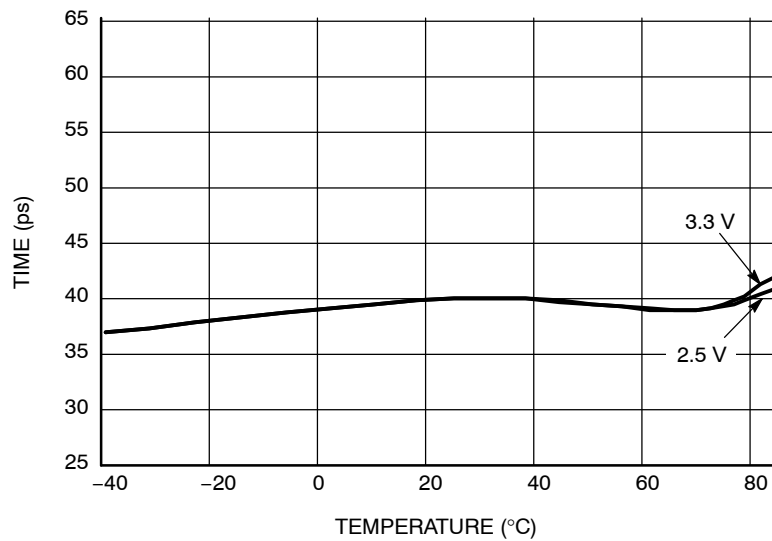


Figure 13. t_r vs. Temperature and Power Supply

NBSG53ABAEVB

ADDITIONAL INFORMATION

www.onsemi.com

In all cases, the most up-to-date information can be found on our website.

- Sample orders for devices and boards
- New Product updates
- Literature download/order
- IBIS and Spice models

References

AND8077/D, Application Note, *GigaComm™ (SiGe) SPICE Modeling Kit*.

AND8075/D, Application Note, *Board Mounting Considerations for the FCBGA Packages*.

BRD8017/D, Brochure, *Clock and Data Manage Solutions*.

NBSG53A/D, Data Sheet, *NBSG53A, 2.5V/3.3V SiGe Selectable Differential Clock and Data D Flip-Flop/Clock Divider with Reset and OLS*

ORDERING INFORMATION

Orderable Part No	Description	Package	Shipping
NBSG53ABAHTBG	SiGe Selectable Differential Clock and Data D Flip-Flop / Clock Divider with Reset and OLS	4X4 mm FCBGA/16	500 Units/Reel
NBSG53ABAEVB	NBSG53A Evaluation Board		

GigaComm is a trademark of Semiconductor Components Industries, LLC.

ON Semiconductor and **ON** are registered trademarks of Semiconductor Components Industries, LLC (SCILLC). SCILLC reserves the right to make changes without further notice to any products herein. SCILLC makes no warranty, representation or guarantee regarding the suitability of its products for any particular purpose, nor does SCILLC assume any liability arising out of the application or use of any product or circuit, and specifically disclaims any and all liability, including without limitation special, consequential or incidental damages. "Typical" parameters which may be provided in SCILLC data sheets and/or specifications can and do vary in different applications and actual performance may vary over time. All operating parameters, including "Typicals" must be validated for each customer application by customer's technical experts. SCILLC does not convey any license under its patent rights nor the rights of others. SCILLC products are not designed, intended, or authorized for use as components in systems intended for surgical implant into the body, or other applications intended to support or sustain life, or for any other application in which the failure of the SCILLC product could create a situation where personal injury or death may occur. Should Buyer purchase or use SCILLC products for any such unintended or unauthorized application, Buyer shall indemnify and hold SCILLC and its officers, employees, subsidiaries, affiliates, and distributors harmless against all claims, costs, damages, and expenses, and reasonable attorney fees arising out of, directly or indirectly, any claim of personal injury or death associated with such unintended or unauthorized use, even if such claim alleges that SCILLC was negligent regarding the design or manufacture of the part. SCILLC is an Equal Opportunity/Affirmative Action Employer. This literature is subject to all applicable copyright laws and is not for resale in any manner.

PUBLICATION ORDERING INFORMATION

LITERATURE FULFILLMENT:

Literature Distribution Center for ON Semiconductor
P.O. Box 5163, Denver, Colorado 80217 USA
Phone: 303-675-2175 or 800-344-3860 Toll Free USA/Canada
Fax: 303-675-2176 or 800-344-3867 Toll Free USA/Canada
Email: orderlit@onsemi.com

N. American Technical Support: 800-282-9855 Toll Free
USA/Canada
Europe, Middle East and Africa Technical Support:
Phone: 421 33 790 2910
Japan Customer Focus Center
Phone: 81-3-5773-3850

ON Semiconductor Website: www.onsemi.com

Order Literature: <http://www.onsemi.com/orderlit>

For additional information, please contact your local Sales Representative

NBSG53ABAEVB/D